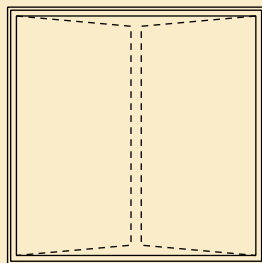
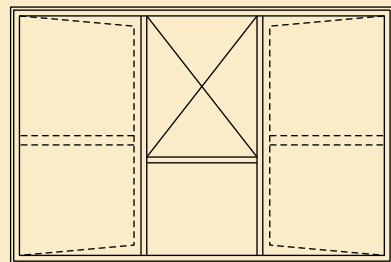


# ACCUCEL

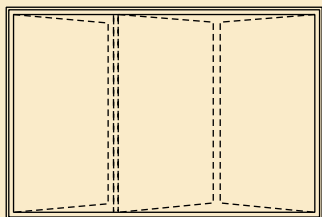
THE ENVIRONMENTAL- FRIENDLY ALTERNATIVE



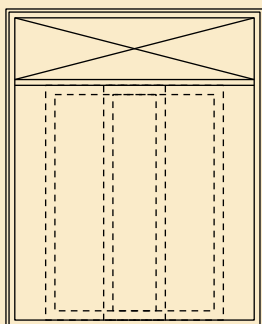
ACCUCEL Window Frame With Openable Shutter



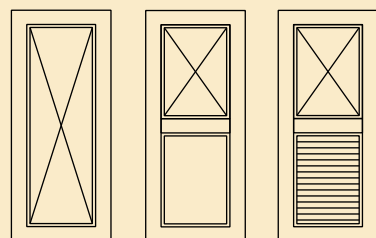
ACCUCEL Window Frame With Openable Shutters With Fix Glass



ACCUCEL Window Frame With Sliding Folding Shutters



ACCUCEL Window Frame With Ventilators & Sliding Shutters



PWS 01/02 WITH SINGLE GLASS PANEL  
PWS 01A WITH GLASS & HPL PANEL  
PWS 01B WITH GLASS & FIXED LOUVERS

## SYSTEM CONFIGURATIONS AT YOUR COMMAND

- Openable Windows (side / top hung)
- Bay Windows
- Pivoted Windows
- Fixed Structural Glazing
- Sliding Windows
- Sliding Folding Windows
- Louvered Windows (fixed / moveable)
- Arch Windows
- Fly Mesh Shutters

## GLAZING OPTIONS

- FULLY GLAZED
- SEMI GLAZED
- SANDWICHED

## SUPPORT FROM THE COMPANY

Technical & Design team of the company extends their support for custom made solutions to your requirements.

Project team of the company helps for installation and fabrication guideline.

Wide distributors network of experienced fabricator franchisees of the company helps for faster availability & installation at site.

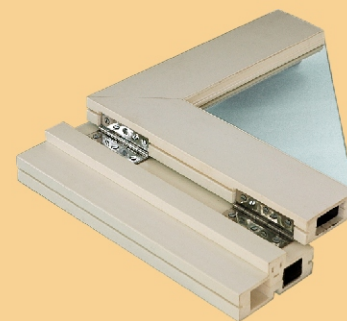
## STANDARD SIZES (in mm)

- 1200 x 0900    1200 x 1200
- 1200 x 1500    1200 x 1800
- 1200 x 2400    1500 x 2100

## COLOR

Off-White, Ivory

Special sizes, colors & finishes can be supplied on request.



# uPVC-WINDOWS

# ACCUCEL

THE ENVIRONMENTAL- FRIENDLY ALTERNATIVE

## ACCUCEL uPVC WINDOWS & DOORS SYSTEM IDEAL FOR ASIAN SUBCONTINENT



ELEGANCE

LONG LASTING

QUALITY

GUARANTEED SAFETY

## ACCURA POLYTECH PRIVATE LIMITED

Regd. Office:

8, Ajitnath Society, Opp.Paldi P.O.,  
Ahmedabad-380007 (Gujarat) INDIA.  
Phone-(079)26630154, Fax-(079)26633668  
E-mail : accucel@icenet.net  
Website : www.accurapolytech.com

# ACCUCEL

THE ENVIRONMENTAL- FRIENDLY ALTERNATIVE

INTERNATIONAL QUALITY AND DESIGN MADE TO SUIT INDIAN LIVING STYLES AND WORKING CONDITIONS; PREFERRED CHOICE OF ARCHITECTS, INTERIOR DESIGNERS & CRAFTSMEN

## ACCUCEL u-PVC

### EXCELLENT MATERIAL - EXCELLENT PERFORMANCE

ACCUCEL Window frame & Shutter are premium products made from ACCUCEL Solid PVC Foam profiles with integral skin manufactured at a state of the art factory using breakthrough technology from ITALY to suit Indian conditions.

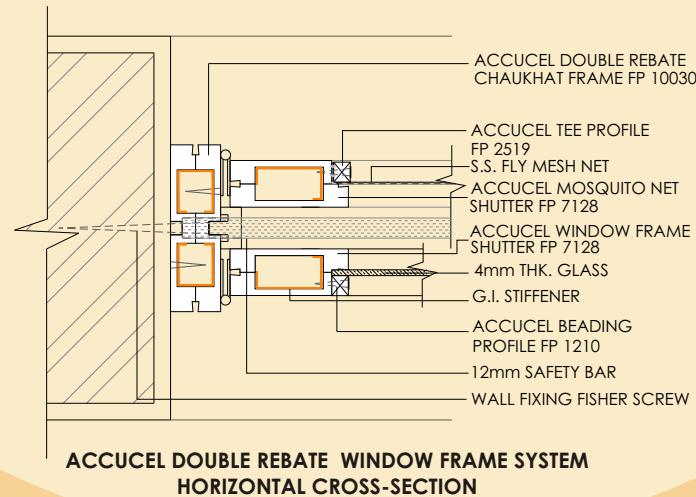
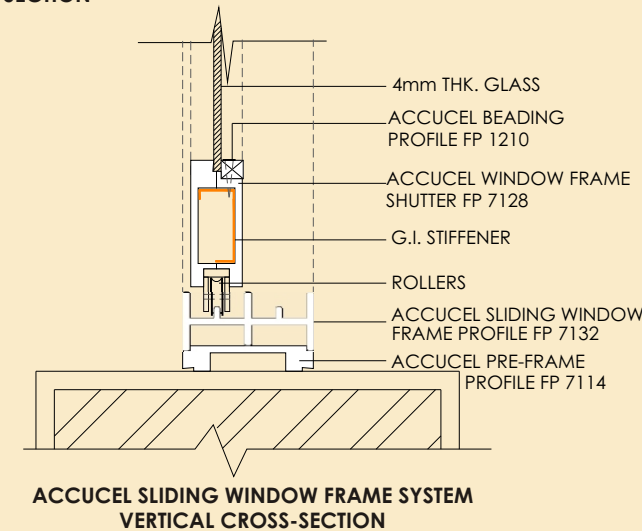
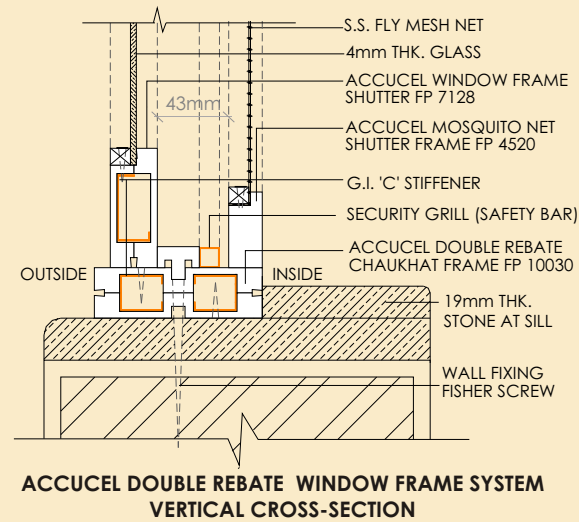
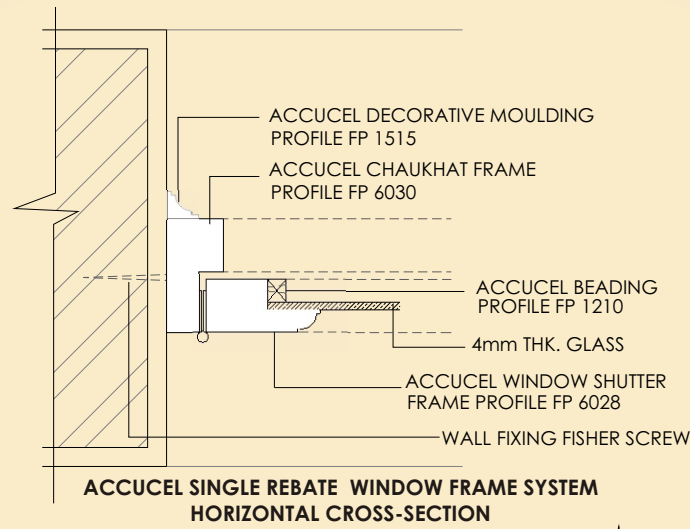
ACCUCEL is as elegant as any premium wood in appearance. ACCUCEL is workable like wood with conventional carpentry tools.

ACCUCEL can be nailed, screwed, drilled, glued, sawn, tapped or welded. ACCUCEL comes in a range of different shapes, colors & finishes. ACCUCEL is characterised by excellent screw holding strength (>200kgf) and shore hardness A of more than 70.

### EASE OF WORKABILITY

Indian craftsmen can easily fabricate ACCUCEL window frames and shutters as per Architect's design and requirements with the help of conventional woodworking machines as per fabrication guidelines given by the company.

This eliminates heavy investments for fabrication equipments.



### MOST CONVENIENT OPTION

Conventional hardware & fittings available for wooden windows; like hinges, stoppers, pegstay, & handles can be fitted on ACCUCEL Windows thereby making it the most convenient option to use under Indian Conditions for remote locations also.

ACCUCEL can be painted with PU coating / duco paints at the site if desired.

Sealing Gaskets can be fixed to make ACCUCEL Windows air-tight, dust-proof & more energy efficient.

Premium printed finishes for outdoor applications with required UV resistance can be offered for project requirements.

ACCUCEL is available in ready to use pre-finished sections. No need for seasonal treatments as required for hardwoods.

ACCUCEL solid foam section helps to design conventional wood type windows to match required sizes and site conditions.

## SALIENT FEATURES

**ELEGANT & UNIQUE DESIGN**



**LONG LIFE & MAINTENANCE FREE**



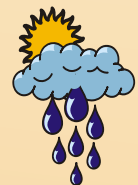
**TOUGH & DURABLE**



**EFFICIENT SOUND & THERMAL INSULATION**



**WEATHER RESISTANCE**



**WATERPROOF & TERMITE PROOF**



**ENVIRONMENT FRIENDLY**



**FIRE RETARDANT**



**ENERGY SAVING**



**EASE OF FITMENT  
Similar to Indian System**

